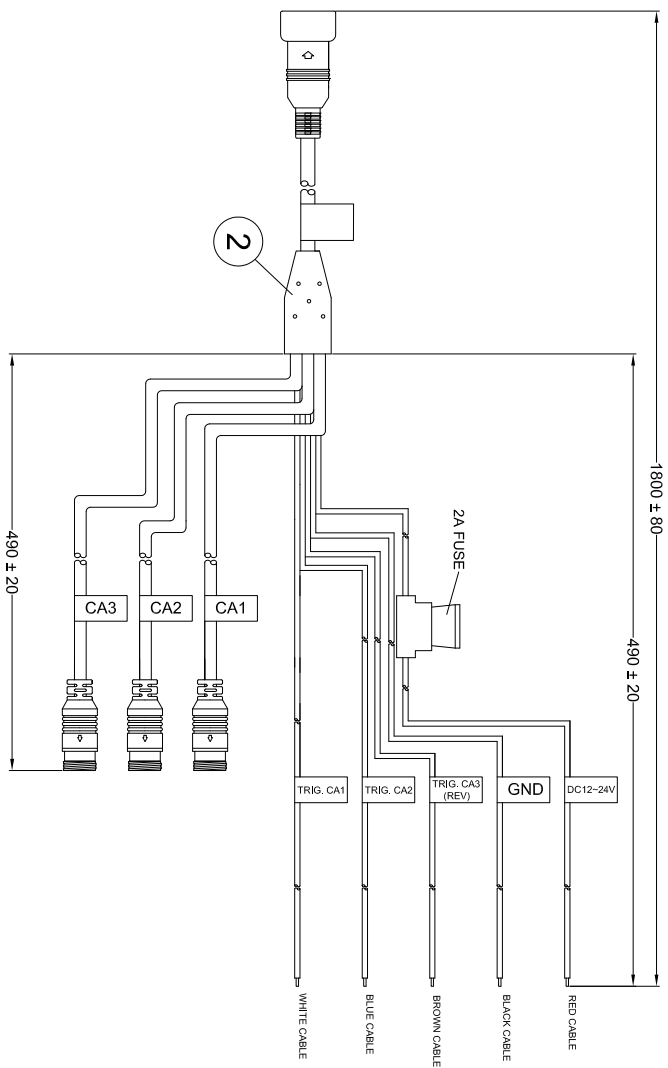
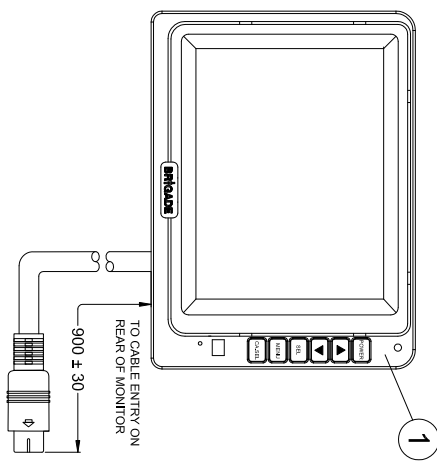


Revision Notes:
 1. ASSEMBLY BOM UPDATED.
Checked By: JIN **Approved By:** DK **Date Released:** 16/12/11

ITEM	STOCK CODE	QTY	MODEL/DESCRIPTION
1	(3979)	1	VBV-750DM(R46)-M MONITOR
2	(3176A)	1	VBV-7X0DM-CA CABLE ADAPTER
3	(3180A)	1	VBV-750DM-SS SUNSHIELD (NOT SHOWN)
4	(3148A)	1	BM-M-015 VBV MONITOR BRACKET (SHORT) (NOT SHOWN)
5	(4026)	1	VBV-750DM(R46)-HG INSTALLATION GUIDE (NOT SHOWN)
6	(4036)	1	VBV-750DM-4CSB COLOUR GIFTBOX (NOT SHOWN)



- NOTES:**
1. DIMENSIONS IN MM.
 2. REFER TO COMPONENT DRAWINGS FOR COMPONENT DETAIL.
 3. REFER TO COMPONENT PRODUCT SPEC FOR PRODUCT SPECIFICATIONS.
 4. FOR GIFTBOX LABEL REFER TO LATEST REVISION OF DRAWING BE-001785-XX-11.
 5. FOR GIFTBOX SERIAL NUMBER LABEL REFER TO LATEST REVISION OF DRAWING BE-001323-XX-10.
 6. MONITOR KIT IS SUPPLIED IN AN BRIGADE BRANDED COLOUR BOX.

PROPRIETARY NOTICE
 THIS DESIGN AND TECHNICAL INFORMATION APPEARING ON THIS DRAWING IS THE PROPERTY OF BRIGADE ELECTRONICS, AND IS DISCLOSED IN CONFIDENCE. IT IS NOT TO BE COPIED, REPRODUCED, REVEALED TO OR EXPLOITED BY OTHERS, EITHER IN WHOLE OR IN PART WITHOUT THE EXPRESS WRITTEN CONSENT OF BRIGADE ELECTRONICS.

BRIGADE
 www.brigade-electronics.com

Assembly Pl Approval		Approved by DKERAL		Checked by JNEWMAN		Drawn by MBUTLER	
Angle of Projection		Units mm	Scale N/A	Released 26/09/11	Assembly Ref SV-M05001120CB		
Third Angle		Status RELEASED		VBV-750DM(R46)			
		Stock Code #3981		BE-001776-01-11			